



FUZE PENDANT COMPACT



User Manual

©2022 ELATION PROFESSIONAL all rights reserved. Information, specifications, diagrams, images, and instructions herein are subject to change without notice. ELATION PROFESSIONAL logo and identifying product names and numbers herein are trademarks of ELATION PROFESSIONAL. Copyright protection claimed includes all forms and matters of copyrightable materials and information now allowed by statutory or judicial law or hereinafter granted. Product names used in this document may be trademarks or registered trademarks of their respective companies and are hereby acknowledged. All non-ELATION brands and product names are trademarks or registered trademarks of their respective companies.

ELATION PROFESSIONAL and all affiliated companies hereby disclaim any and all liabilities for property, equipment, building, and electrical damages, injuries to any persons, and direct or indirect economic loss associated with the use or reliance of any information contained within this document, and/or as a result of the improper, unsafe, insufficient and negligent assembly, installation, rigging, and operation of this product.

Elation Professional USA | 6122 S. Eastern Ave. | Los Angeles, CA. 90040
 323-582-3322 | 323-832-9142 fax | www.elationlighting.com | info@elationlighting.com

Elation Professional B.V. | Junostraat 2 | 6468 EW Kerkrade, The Netherlands
 +31 45 546 85 66 | +31 45 546 85 96 fax | www.elationlighting.eu | info@elationlighting.eu

Elation Professional Mexico
 AV Santa Ana 30 | Parque Industrial Lerma, Lerma, Mexico 52000
 +52 (728) 282-7070

DOCUMENT VERSION



Due to additional product features and/or enhancements, an updated version of this document may be available online. Please scan the QR Code with your mobile device or visit www.elationlighting.com for the latest revision/update of this manual, before installation and/or programming.

Date	Document Version	Software Version	DMX Channel Mode	Notes
02/23/22	1.0	open	1 / 4 (Dimmer Color) / 5 / 10 (RGBWL) / 10 (Standard) / 17 / 4 (HSI) / 9 Ch.	Initial Release
09/27/22	1.1	N/C	No Change	Updated Dimensional Drawings, Specifications
12/23/22	1.2	N/C	No Change	Updated optional accessories list, specifications; added RDM

CONTENTS

General Information	4
Limited Warranty	5
Safety Guidelines	6
Maintenance Guidelines	8
Overview	9
Installation Instructions	11
Fixture Installation	12
Accessory Installation	13
E-Fly Wireless Setup Guidelines	19
Remote Device Management (RDM)	20
System Menu	21
0-10V and Alarm Contact	25
DMX Traits	26
Color Temperature Table	32
Virtual Gel Swatch Book	33
Error Codes	34
Specifications	35
Dimensional Drawings	36
Optional Accessories FCC Statement	41

GENERAL INFORMATION

INTRODUCTION

Please read and understand the instructions in this manual carefully and thoroughly before attempting to operate this device. These instructions contain important safety and use information. **This device is intended for use by professionals only, and is not suitable for private use.**

UNPACKING

Every device has been thoroughly tested and has been shipped in perfect operating condition. Carefully check the shipping carton for damage that may have occurred during shipping. If the carton is damaged, carefully inspect the device for damage, and be sure all accessories necessary to install and operate the device have arrived intact. In the event that damage has been found or parts are missing, please contact our customer support team for further instructions. Please do not return this device to your dealer without first contacting customer support. Please do not discard the shipping carton in the trash. Please recycle whenever possible.

BOX CONTENTS

Power Cable (x1)
Bracket Hole Caps (x2)

CUSTOMER SUPPORT

Contact ELATION Service for any product related service and support needs. Also visit forums.elationlighting.com with questions, comments, or suggestions.

ELATION SERVICE USA - Monday - Friday 8:00am to 4:30pm PST
323-582-3322 | Fax 323-832-9142 | support@elationlighting.com

ELATION SERVICE EUROPE - Monday - Friday 08:30 to 17:00 CET
+31 45 546 85 63 | Fax +31 45 546 85 96 | support@elationlighting.eu

REPLACEMENT PARTS please visit parts.elationlighting.com



IMPORTANT NOTICE!

THERE ARE NO USER SERVICEABLE PARTS INSIDE THIS UNIT. DO NOT ATTEMPT ANY REPAIRS YOURSELF, AS DOING SO WILL VOID YOUR MANUFACTURER'S WARRANTY. DAMAGES RESULTING FROM MODIFICATIONS TO THIS FIXTURE AND/OR THE DISREGARD OF SAFETY INSTRUCTIONS AND GUIDELINES IN THIS MANUAL VOID THE MANUFACTURER'S WARRANTY AND ARE NOT SUBJECT TO ANY WARRANTY CLAIMS AND/OR REPAIRS.

LIMITED WARRANTY

- A. Elation Professional hereby warrants, to the original purchaser, Elation Professional products to be free of manufacturing defects in material and workmanship for a period of two years (730 days), and Elation Professional product rechargeable batteries to be free of manufacturing defects in material and workmanship for a period of six months (180 days), from the original date of purchase. This warranty excludes discharge lamps and all product accessories. This warranty shall be valid only if the product is purchased within the United States of America, including possessions and territories. It is the owner's responsibility to establish the date and place of purchase by acceptable evidence, at the time service is sought.
- B. For warranty service, send the product only to the Elation Professional factory. All shipping charges must be pre-paid. If the requested repairs or service (including parts replacement) are within the terms of this warranty, Elation Professional will pay return shipping charges only to a designated point within the United States. If any product is sent, it must be shipped in its original package and packaging material. No accessories should be shipped with the product. If any accessories are shipped with the product, Elation Professional shall have no liability what so ever for loss and/or or damage to any such accessories, nor for the safe return thereof.
- C. This warranty is void if the product serial number and/or labels are altered or removed; if the product is modified in any manner which Elation Professional concludes, after inspection, affects the reliability of the product; if the product has been repaired or serviced by anyone other than the Elation Professional factory unless prior written authorization was issued to purchaser by Elation Professional; if the product is damaged because not properly maintained as set forth in the product instructions, guidelines and/or user manual.
- D. This is not a service contract, and this warranty does not include any maintenance, cleaning or periodic check-up. During the periods as specified above, Elation Professional will replace defective parts at its expense, and will absorb all expenses for warranty service and repair labor by reason of defects in material or workmanship. The sole responsibility of Elation Professional under this warranty shall be limited to the repair of the product, or replacement thereof, including parts, at the sole discretion of Elation Professional. All products covered by this warranty were manufactured after January 1, 1990, and bare identifying marks to that effect.
- E. Elation Professional reserves the right to make changes in design and/or performance improvements upon its products without any obligation to include these changes in any products theretofore manufactured.
- F. No warranty, whether expressed or implied, is given or made with respect to any accessory supplied with the products described above. Except to the extent prohibited by applicable law, all implied warranties made by Elation Professional in connection with this product, including warranties of merchantability or fitness, are limited in duration to the warranty periods set forth above. And no warranties, whether expressed or implied, including warranties of merchantability or fitness, shall apply to this product after said periods have expired. The consumer's and/or dealer's sole remedy shall be such repair or replacement as is expressly provided above; and under no circumstances shall Elation Professional be liable for any loss and/or damage, direct and/or consequential, arising out of the use of, and/or the inability to use, this product.
- G. This warranty is the only written warranty applicable to Elation Professional products and supersedes all prior warranties and written descriptions of warranty terms and conditions heretofore published.

WARRANTY RETURNS

All returned service items whether under warranty or not, must be freight pre-paid and accompanied by a return authorization (R.A.) number. The R.A. number must be clearly written on the outside of the return package. A brief description of the problem, as well as the R.A. number, must also be written down on a piece of paper and included in the shipping container. If the unit is under warranty, you must provide a copy of your proof of purchase invoice. Items returned without an R.A. number clearly marked on the outside of the package will be refused and returned at customer's expense. You may obtain an R.A. number by contacting customer support.

SAFETY GUIDELINES

This fixture is a sophisticated piece of electronic equipment. To guarantee smooth operation, it is important to follow all instructions and guidelines in this manual. Elation Professional is not responsible for injury and/or damages resulting from the misuse of this fixture due to the disregard of the information printed in this manual. Only qualified and/or certified personnel should perform installation of this fixture and only the original rigging parts included with this fixture should be used for installation. Any modifications to the fixture and/or the included mounting hardware will void the original manufacturer's warranty and increase the risk of damage and/or personal injury.



PROTECTION CLASS 1 - FIXTURE MUST BE PROPERLY GROUNDED.



THERE ARE NO USER SERVICEABLE PARTS INSIDE THIS UNIT. DO NOT ATTEMPT ANY REPAIRS YOURSELF. DOING SO WILL VOID YOUR MANUFACTURER'S WARRANTY. DAMAGES RESULTING FROM MODIFICATIONS TO THIS DEVICE AND/OR THE DISREGARD OF SAFETY INSTRUCTIONS AND GUIDELINES IN THIS MANUAL VOID THE MANUFACTURER'S WARRANTY AND ARE NOT SUBJECT TO ANY WARRANTY CLAIMS AND/OR REPAIRS.



**DO NOT PLUG THIS UNIT INTO A DIMMER PACK!
NEVER OPERATE THIS UNIT WITH THE CASING REMOVED!
DISCONNECT POWER BEFORE PERFORMING MAINTENANCE!
NEVER TOUCH DURING OPERATION, AS FIXTURE SURFACES MAY BE HOT!
KEEP FLAMMABLE MATERIALS AWAY FROM FIXTURE!**



**NEVER LOOK DIRECTLY INTO THE LIGHT SOURCE!
RETINA INJURY RISK - MAY INDUCE BLINDNESS!
SENSITIVE PERSONS MAY SUFFER AN EPILEPTIC SHOCK!**



**FOR USE IN INDOOR OR DRY LOCATIONS ONLY!
DO NOT EXPOSE TO RAIN AND/OR MOISTURE!**



**MINIMUM DISTANCE TO OBJECTS/SURFACES IS 1.0 FOOT (0.3 METER)
MINIMUM DISTANCE TO FLAMMABLE MATERIALS IS 1.6 FEET (0.5 METER)
MAXIMUM AMBIENT OPERATING TEMPERATURE IS 113° F (45° C)**

SAFETY GUIDELINES

- **DO NOT TOUCH** the fixture housing during operation.
- **DO NOT** shake fixture, and avoid brute force when installing and/or operating fixture.
- **DO NOT** operate fixture if the power cord is frayed, crimped, damaged and/or if any of the power cord connectors are damaged or do not fit into the fixture securely with ease.
- **NEVER** force a power cord connector into the fixture. If the power cord or any of its connectors are damaged, replace it immediately with a new one of the same power rating.
- **DO NOT** block any air ventilation slots. All fan and air inlets must remain clean and never blocked. Allow approx. 6" (15cm) between fixture and other devices or a wall for proper cooling.
- **TURN OFF** the power and allow approximately 15 minutes for the fixture to cool down before servicing.
- **ALWAYS** disconnect fixture from power before performing any service and/or cleaning procedure.
- **ONLY** handle power cord by the plug end. Never pull plug out by tugging the wire portion of the cord.
- During the initial operation of this fixture, a light smoke or smell may emit from the interior of the fixture. This is a normal process and is caused by excess paint in the interior of the casing burning off from the heat associated with the LED and will decrease gradually over time.
- Consistent operational breaks will ensure fixture will function properly for many years.
- **ONLY** use the original packaging and materials to transport the fixture for service.

MAINTENANCE GUIDELINES



DISCONNECT POWER BEFORE PERFORMING ANY MAINTENANCE!

CLEANING

Frequent cleaning is recommended to ensure proper function, optimized light output, and an extended life. The frequency of cleaning depends on the environment in which the fixture operates: damp, smoky, or particularly dirty environments can cause greater accumulation of dirt on the fixture's optics. Clean periodically with a soft cloth to avoid dirt/debris accumulation.

NEVER use alcohol, solvents, or ammonia-based cleaners.

MAINTENANCE

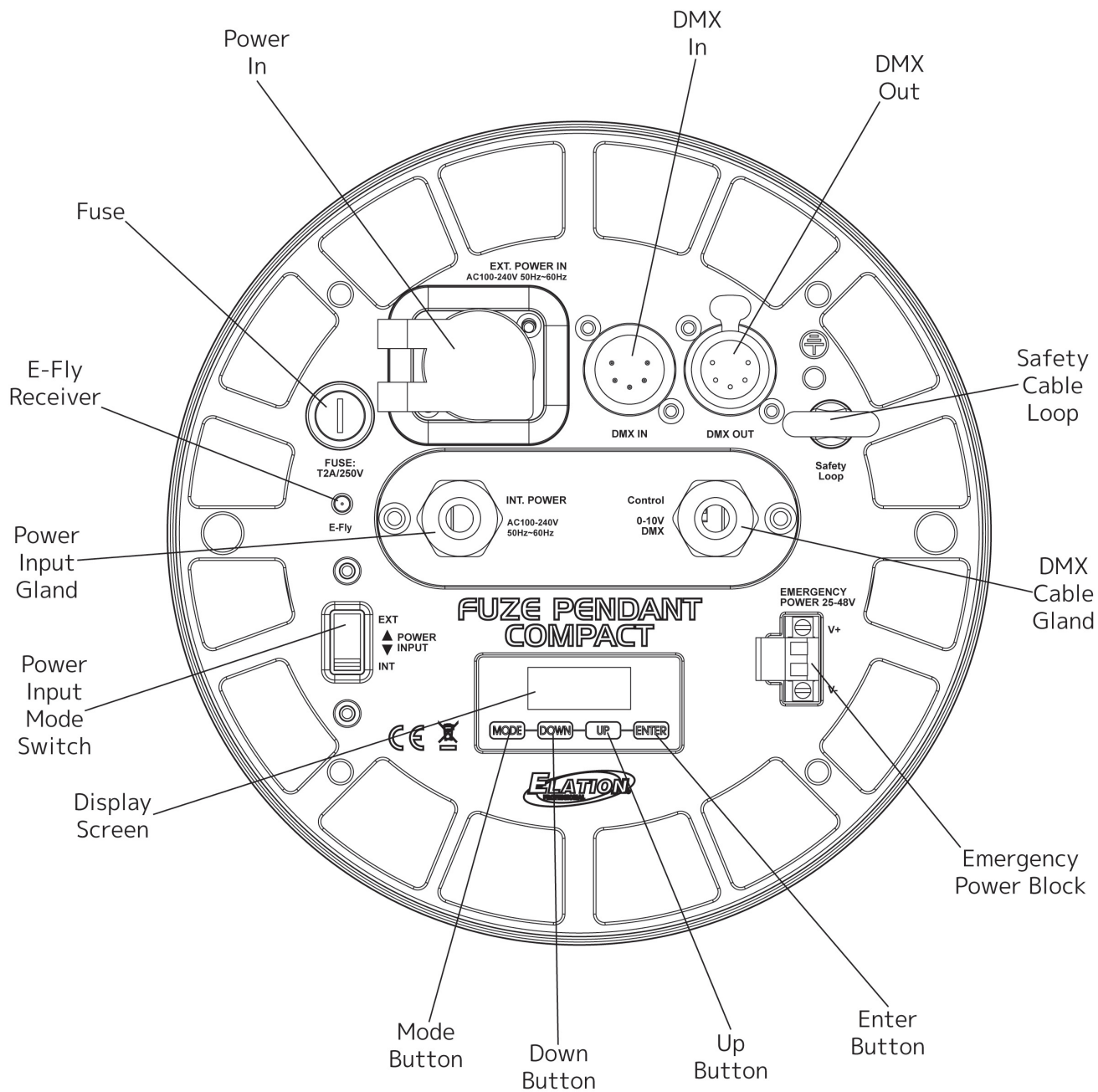
Regular inspections are recommended to ensure proper function and extended life. There are no user serviceable parts inside this fixture. Please refer all service issues to an authorized Elation service technician. Should you need any spare parts, please order genuine parts from an authorized Elation dealer.

Please refer to the following points during routine inspections:

- A detailed electrical check by an approved electrical engineer every three months, to make sure the circuit contacts are in good condition and prevent overheating.
- Be sure all screws and fasteners are securely tightened at all times. Loose screws may fall out during normal operation, resulting in damage or injury as larger parts could fall.
- Check for any deformations on the housing, color lenses, rigging hardware, and rigging points (ceiling, suspension, trussing). Deformations in the housing could allow for dust to enter into the fixture. Damaged rigging points or unsecured rigging could cause the fixture to fall and seriously injure a person(s).
- Electric power supply cables must not show any damage, material fatigue, or sediments.

NEVER remove the ground prong from the power cable.

OVERVIEW



OVERVIEW

POWER CONNECTIONS

Power may be provided to the fixture by means of an industry standard locking power connector (Power In). Alternately, for more permanent installations, a power line may be wired to the fixture by connecting a line to the wired power input gland. A wiring block is located directly behind this gland, with wire terminals for Live (L), Neutral (N), and Floating Ground (FG). This terminal block is accessed by removing the center plate in the connection panel.

Additionally, the fixture may be configured to draw power from either input by means of the Power Input Mode Switch. The fixture will draw power from the locking power connector when the switch is set to the "EXT" position, or the wired power input gland when the switch is set to the "INT" position.

DMX CONNECTIONS

DMX communication to and from the fixture may be provided by the 5-pin DMX In and DMX Out connections. Alternately, for more permanent installation, a DMX line may be wired to the fixture by connecting the line to the DMX cable gland. A wiring block is located directly behind this gland, with wire terminals for DMX +, DMX -, and DMX GND. This terminal block is accessed by removing the center plate in the connection panel. The terminal block also contains two additional terminals for 10V+ and 10V-, but these terminals are discussed in the following section.

0-10V / CONTACT CLOSURE CONNECTION

The terminal block that is used for the hard-wired DMX connections also includes terminals for 10V+ and 10V-. These two terminals may be used to connect the fixture to a current sink 0-10V dimmer to enable adjustment of lighting intensity, or they may be used to connect the fixture to a contact closure such as a wall switch or an emergency alarm panel.

EMERGENCY POWER

The emergency power block can be connected to a 25-48V DC power source in order to provide emergency lighting in the event of loss of AC power. The DC power source should be rated for 15W or 20W in order to provide sufficient power for the fixture to operate for a minimum of 90 minutes. Please note that neither color nor light output will be adjustable when the fixture is operating in this mode, as the fixture has been optimized for maximum runtime at the required light levels.

Please note that it is the responsibility of the user to determine the system design, wiring, and illumination levels required by law for emergency lighting systems in the locality in which the system will be operating. Emergency lighting must comply with all applicable national, state, and local standards.

INSTALLATION INSTRUCTIONS



FLAMMABLE MATERIAL WARNING

Keep fixture minimum 5.0 feet (1.5m) away from flammable materials and/or pyrotechnics.



ELECTRICAL CONNECTIONS

A qualified electrician should be used for all electrical connections and/or installations.



MINIMUM DISTANCE TO OBJECTS/SURFACES IS 1 FOOT (0.3 METERS)
MINIMUM DISTANCE TO FLAMMABLE MATERIALS IS 1.6 FEET (0.5 METERS)
MAXIMUM AMBIENT OPERATING TEMPERATURE IS 113° F (45° C)



DO NOT PERFORM THE INSTALLATION YOURSELF IF YOU ARE NOT QUALIFIED TO DO SO!

Fixture **MUST** be installed following all local, national, and country commercial electrical and construction codes and regulations.

Before rigging/mounting a single fixture or multiple fixtures to any metal truss/structure or placing the fixture(s) on any surface, a professional equipment installer **MUST** be consulted to determine if the metal truss/structure or surface is properly certified to safely hold the combined weight of the fixture(s), clamps, cables, and accessories.

Maximum fixture ambient operating temperature is **113°F (45°C)**. Do not operate this fixture when ambient temperature exceeds this rating.

Overhead rigging requires extensive experience, including calculating working load limits, knowledge of installation material being used, and periodic safety inspection of all installation material and the fixture. If you lack these qualifications, do not attempt the installation yourself. Improper installation can result in bodily injury.

Fixture(s) should be installed in areas outside walking paths, seating areas, or areas where unauthorized personnel might reach the fixture by hand.

NEVER stand directly below the fixture(s) when rigging, removing, or servicing.

Overhead fixture installation must always be secured with a secondary safety attachment, such as an appropriately rated safety cable.

Allow approximately 15 minutes for the fixture to cool down before serving.

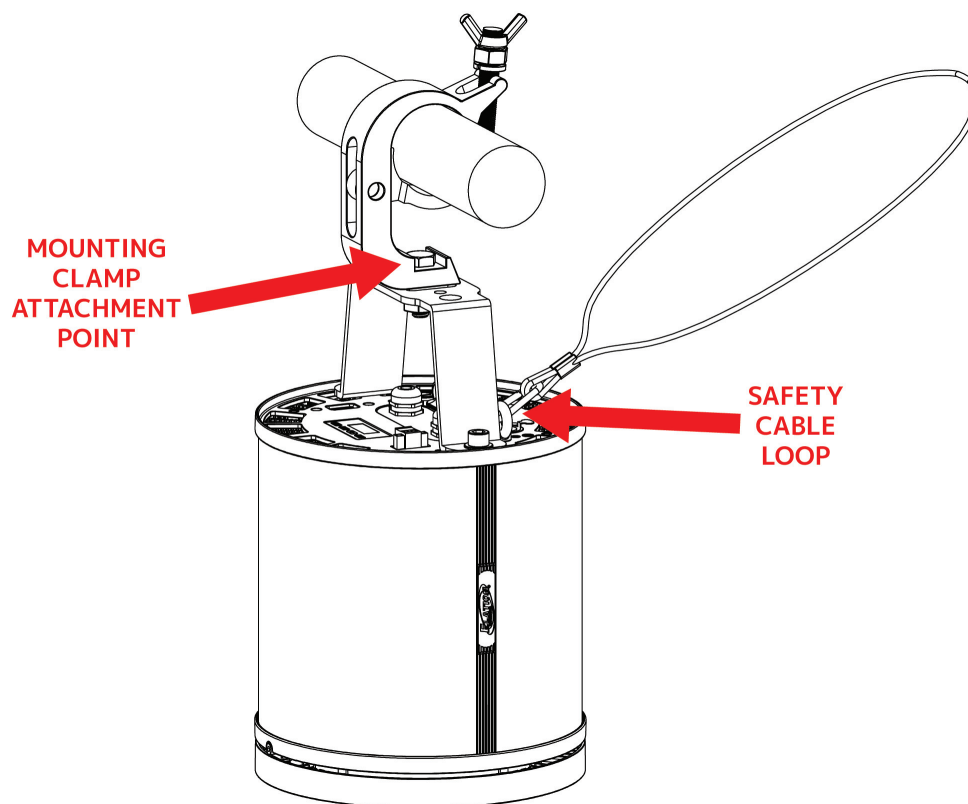
FIXTURE INSTALLATION

RIGGING

Overhead rigging requires extensive experience, including calculating working load limits, knowledge of installation material being used, and periodic safety inspection of all installation material and the fixture, among other things. If you lack these qualifications, do not attempt the installation yourself. Improper installation can result in bodily injury.

CLAMP INSTALLATION

The included yoke bracket features a built-in attachment point for a mounting clamp. The fixture itself also features a safety cable loop, located near the control panel display screen, as shown in the illustration below. **Please note that the designated safety cable loop is the only safe location to attach a safety cable! Never attach a safety cable to the mounting clamp bracket!**



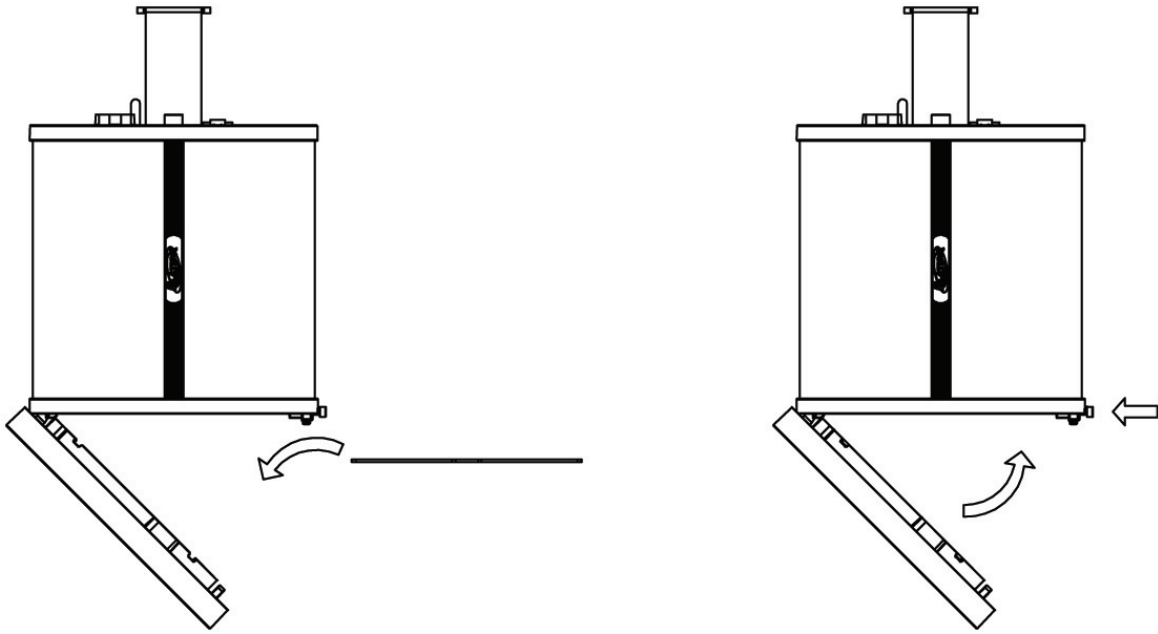
ALWAYS ATTACH A SAFETY CABLE WHENEVER INSTALLING THIS FIXTURE IN A SUSPENDED ENVIRONMENT TO ENSURE THAT THE FIXTURE WILL NOT FALL IF THE CLAMP FAILS.

ACCESSORY INSTALLATION

LENS KIT



**PLACE FIXTURE ON A STABLE SURFACE AND ALLOW 15 MINUTES TO COOL!
DO NOT OVERTIGHTEN SCREWS OR USE A POWER SCREWDRIVER!**



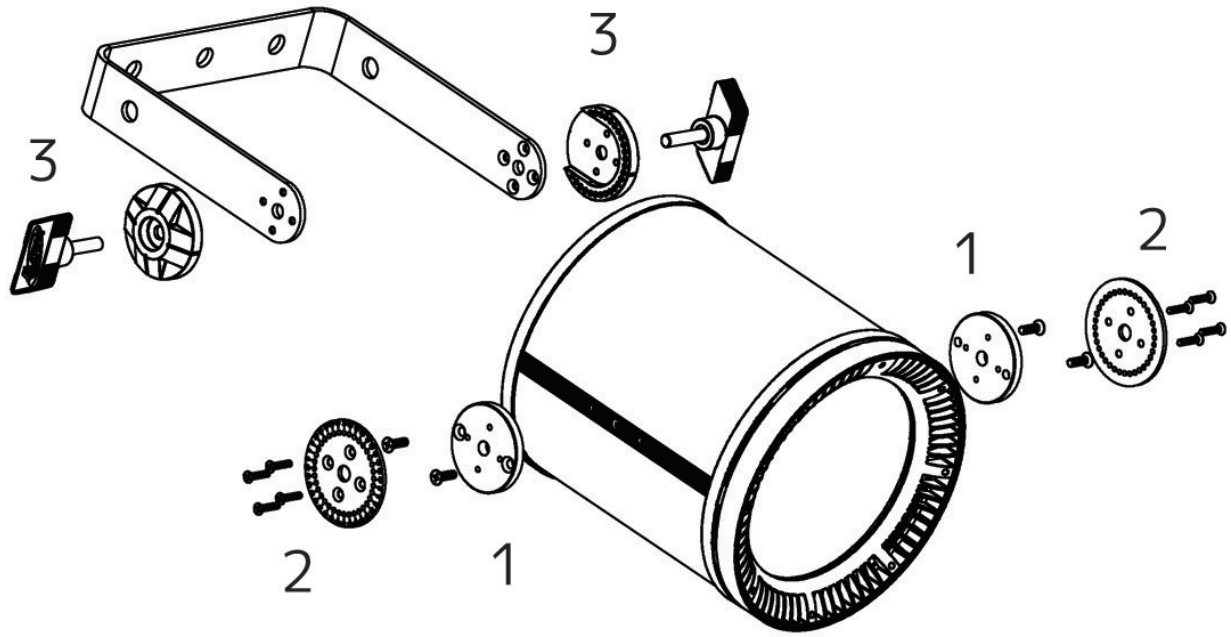
1. Loosen screw on the side of lens bezel to open/release, as shown in the image on the left.
2. Carefully install lens in place, as shown in the image on the right.
3. Check lens is positioned correctly in the fixture then close/secure lens bezel.

ACCESSORY INSTALLATION

YOKE BRACKET KIT



PLACE FIXTURE ON A STABLE SURFACE AND ALLOW 15 MINUTES TO COOL!
DO NOT OVERTIGHTEN SCREWS OR USE A POWER SCREWDRIVER!



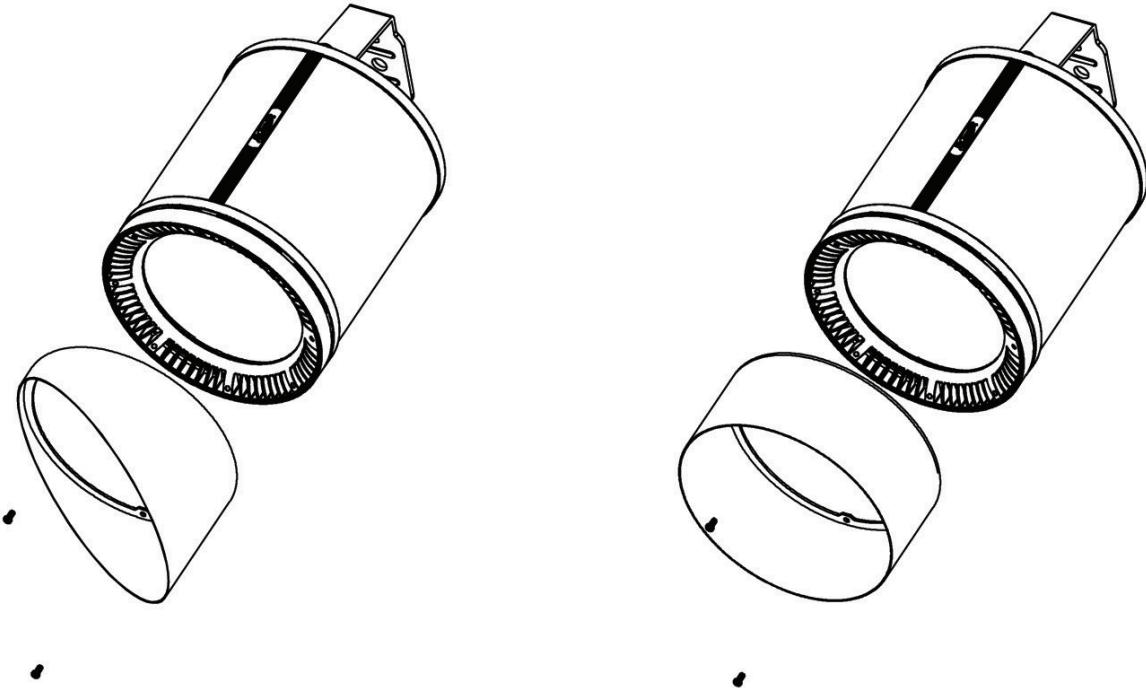
1. Attach the two (2) yoke spacer discs to the fixture with two (2) screws each.
2. Attach a yoke inner mounting disc to each of the yoke spacer discs, and secure in place with four (4) screws each.
3. Align the yoke, two (2) yoke outer mounting discs, and two (2) hand knobs over the yoke inner mounting discs. Insert the hand knobs and rotate clockwise to secure the yoke in the desired position.

ACCESSORY INSTALLATION

HALF SNOOT KIT & FULL SNOOT KIT



**PLACE FIXTURE ON A STABLE SURFACE AND ALLOW 15 MINUTES TO COOL!
DO NOT OVERTIGHTEN SCREWS OR USE A POWER SCREWDRIVER!**



To install either snoot kit, align the desired snoot with the lens bezel of the fixture, and secure the snoot in place with two (2) screws).

ACCESSORY INSTALLATION

CEILING MOUNT KIT - SAFETY WARNINGS

The evaluation of a suitable installation surface such as wood, drywall, or other materials is the responsibility of the installer, architect, engineer, or other skilled person involved in the mounting and securing of the fixture.

The Fuze Pendant Compact weighs 11.7 lbs (5.3 kg), and the installation surface must be able to support this weight securely. If in any doubt regarding the suitability of the surface, all weight must be carried by the hanging bracket, with the ceiling mount kit utilized only as a visual trim kit for a clean installation. The ceiling kit / trim ring can be installed with or without the provided body support plates.

The Fuze Pendant Compact and ceiling kit are NOT plenum rated.

The Fuze Pendant Compact must ALWAYS be secured by a secondary safety cable running from its included safety eyelet to an independent structural element. Suitable elements include ceiling joists, concrete ceilings, and other structural systems which can secure the fixture in the event that the mounting surface fails to carry the weight of the Fuze Pendant Compact securely.

Failure to attach the secondary safety cable properly can lead to serious injury or death.

The secure installation of the Fuze Pendant Compact is always the responsibility of the customer, as the evaluation of surfaces and installation methods is beyond the scope of Elation Professional to predict. A structural engineer should be consulted for all overhead installations of fixtures to provide calculations and approval for weights, primary and safety attachment points, and suitability of surfaces and appropriate fastening methods.

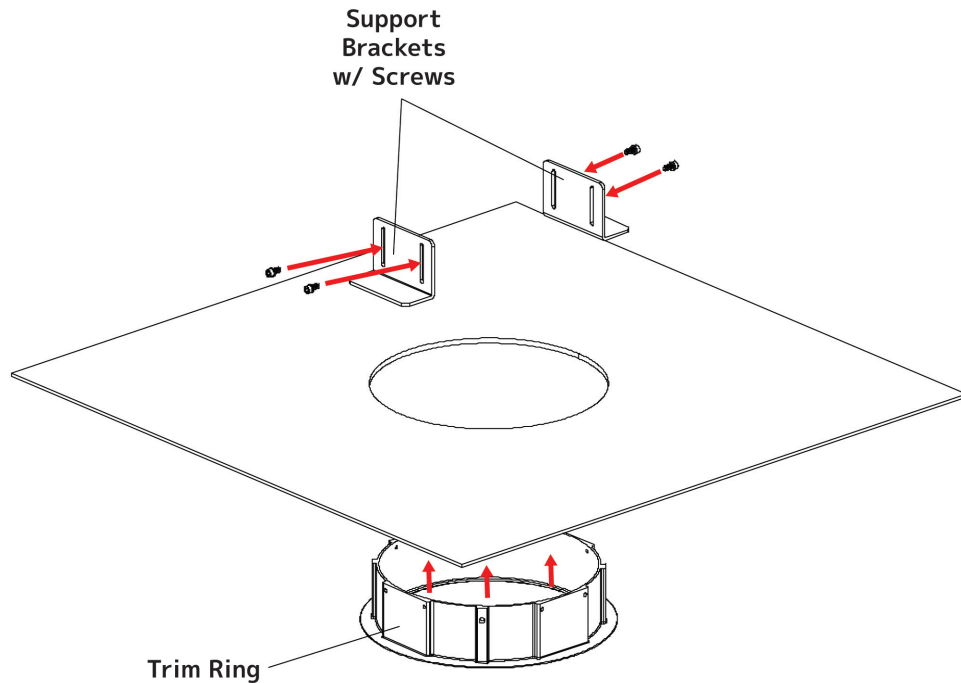
Secure and structurally safe installation that has been approved by an engineer is imperative for mounting the Fuze Pendant Compact into recessed ceilings.

Elation Professional is not responsible for the installation methods and choices of installation surfaces.

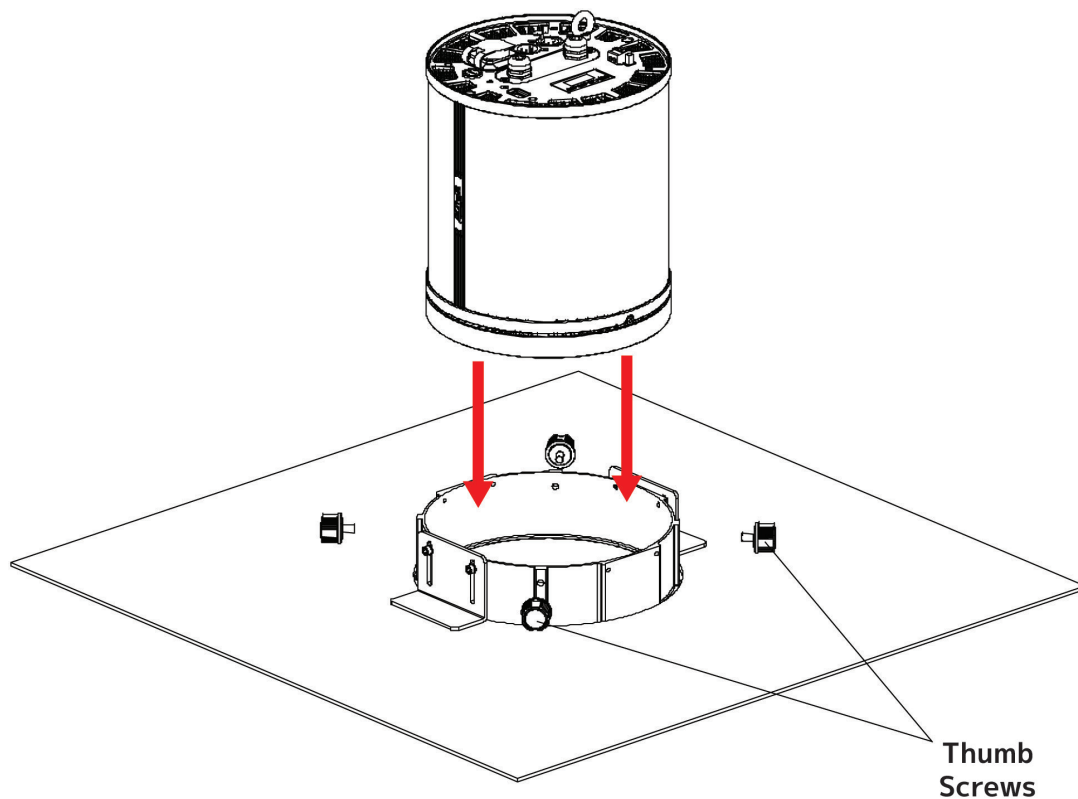
Improper installation, unsuitable surfaces, and failure to secure a secondary safety cable can lead to serious injury or death.

ACCESSORY INSTALLATION

CEILING MOUNT KIT - INSTALLATION



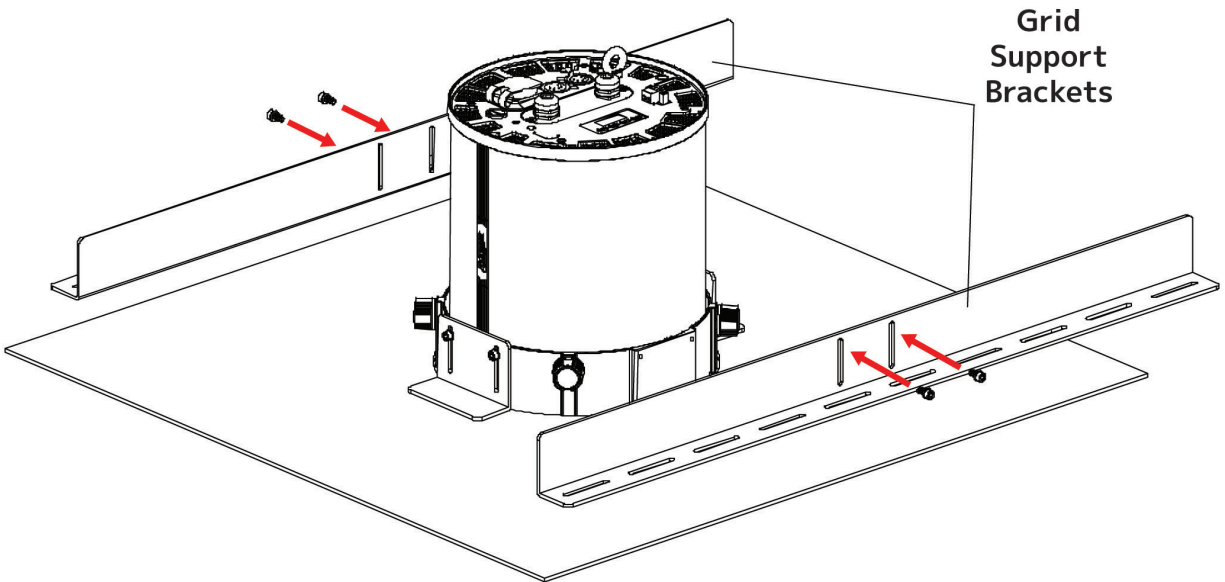
1. Open an 8.5-inch diameter hole in the desired ceiling panel. Insert the trim ring through the hole, and secure in place with the support brackets and screws.



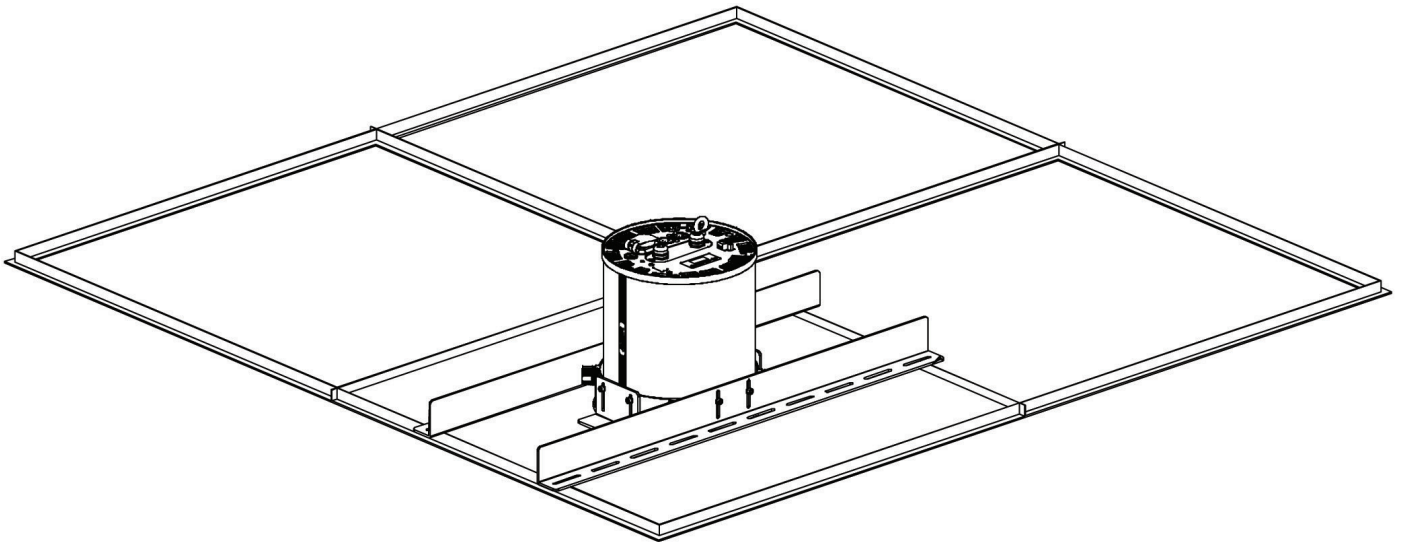
2. Lower the lighting fixture into the trim ring from above, then secure in place by inserting and tightening the four (4) thumb screws.

ACCESSORY INSTALLATION

CEILING MOUNT KIT - INSTALLATION



3. Attach the grid support brackets to the trim ring using the included screws.



4. Install the entire assembly back into the ceiling at the desired location, making sure that the ends of the grid support brackets are resting firmly on the support grid for the ceiling. Secure the grid support brackets in place using the appropriate hardware.

E-FLY WIRELESS SET UP GUIDELINES

There are many factors that can affect and/or interfere with a wireless signal, including walls, glass, metal, objects, and people. In order to reduce the risk of interference, the following points are recommended:

- Install devices a minimum of 9.8 ft. (3m) above audiences and/or ground level, as shown in the illustration below.
- Position the wireless antenna in a vertical upright orientation.
- Position devices in direct line of sight of the controlling E-FLY device.

**9.8 ft (3m)
Above Ground**



Careful planning and testing of the selected installation location is critical to ensure reliable, optimized wireless operation.

REMOTE DEVICE MANAGEMENT (RDM)

NOTE: In order for RDM to work properly, RDM enabled equipment must be used throughout the entire system, including DMX data splitters and wireless systems.

Remote Device Management (RDM) is a protocol that sits on top of the DMX512 data standard for lighting, and allows the DMX systems of the fixtures to be modified and monitored remotely. This protocol is ideal for instances in which a unit is installed in a location that is not easily accessible.

With RDM, the DMX512 system becomes bi-directional, allowing a compatible RDM enabled controller to send out a signal to devices on the wire, as well as allowing the fixture to respond (known as a GET command). The controller can then use its SET command to modify settings that would typically have to be changed or viewed directly via the unit's display screen, including the DMX Address, DMX Channel Mode, and Temperature Sensors.

FIXTURE RDM INFORMATION:

Device ID	Device Model ID	RDM Code	Personality ID
000A	0979	22A6	001 Dimmer 01Ch 002 Dimmer Color 04Ch 003 RGBWL 05Ch 004 RGBWL 16bit 10Ch 005 Standard 10Ch 006 Extended 17Ch 007 HSI 04Ch 008 HSI Extended 09Ch

Please be aware that not all RDM devices support all RDM features, and therefore it is important to check beforehand to ensure that the equipment that you are considering includes all of the features that you require.

The following parameters are accessible in RDM on this device:

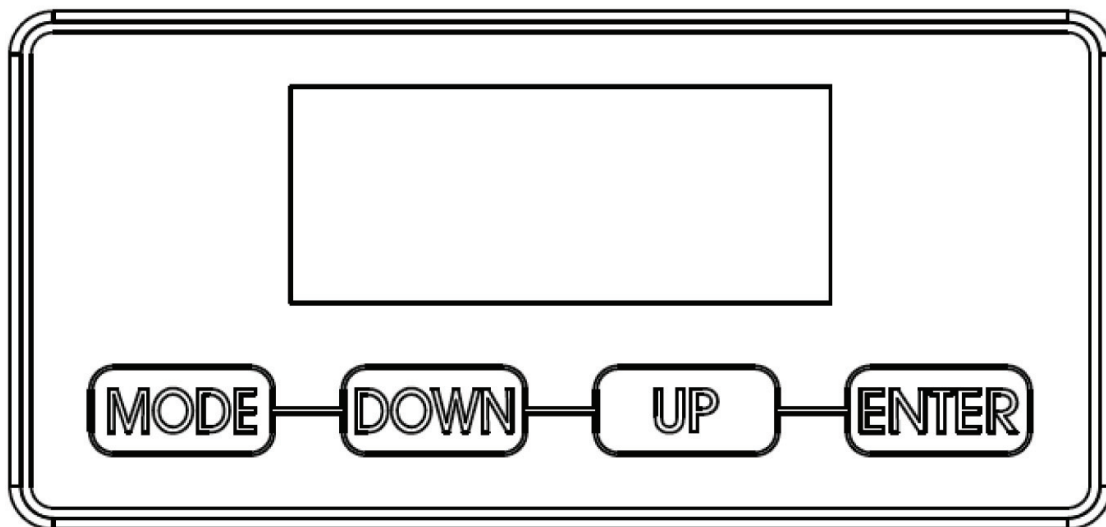
Proxied Device Count	Clear Status ID	Real Time Clock
Sensor Definition	Lamp Hours	Power State
Sensor Value	Lamp Strikes	Preset Playback
Device Model Description	Lamp State	Default Slot Value
Manufacturer Label	Lamp On Mode	Language
Device Label	Device Power Cycles	Language Capabilites
DMX Personality	Pan Invert	Boot Software Version Label
DMX Personality Description	Tilt Invert	Boot Software Version ID
Device Hours	Pan Tilt Swap	Product Detail ID List
Comms Status	Display Invert	Status Messages
Status ID Description	Display Level	

SYSTEM MENU

The fixture includes an easy to navigate system menu. The OLED control panel display located at the top of the fixture (illustrated below) provides access to the main system menu where all necessary system adjustments are made to the fixture.

- During normal operation, pressing the MODE button once will access the fixture's main menu.
- Once in the main menu you can navigate through the different functions and access the sub-menus with the DOWN and UP buttons.
- Once you reach a field that requires adjusting, press the ENTER button to activate that field and use the DOWN and UP buttons to adjust the field.
- Pressing the ENTER button once more will confirm the setting.
- Exit the main menu at any time without making any adjustments by pressing the MODE button.

To access the system menu, press and hold the MODE button for 3 seconds. The OLED display will shut OFF automatically approximately 1 minute from the last button press.



SYSTEM MENU

DMX SETTINGS	DMX Address	A001 - Axxx	Set DMX address
	DMX Channel Mode	Dimmer 1CH	Select channel mode
		Dimmer Color 4CH	
		RGBWL 5CH	
		RGBWL 16bit 10CH	
		Standard 10CH	
		Extended 17CH	
		HSI 4CH	
		HSI Extended 9CH	
	No DMX Status	Hold Last	If DMX signal is lost, fixture defaults to settings in use before connection was lost
		Fade to Black	If DMX signal is lost, fixture fades to 0% intensity
		Standalone	If DMX signal is lost, fixture reverts to Color Temp and Virtual Color settings defined in Stand-alone section
		0-10V	If DMX signal is lost, fixture reverts to Color Temp/Virtual Color settings in Standalone mode with intensity defined by 0-10V input
Priority	DMX	Defines which input determines light output intensity	
	0-10V		

CONTINUED ON NEXT PAGE

SYSTEM MENU

STANDALONE	Dimmer	0 - 100%		
	Color Temperature	2400 - 8500K		
	Virtual Color	Swatch Book		Select single display color from chart
		Color Scroll	Speed = 0 - 22 (slow to fast)	Scrolls thru all colors in forward order
		Color C-Scroll	Speed = 0 - 22 (slow to fast)	Scrolls thru all colors in reverse order
		Random Slots	Speed: fast, medium, slow	Scrolls thru all colors in random order
	Fade Time	0 - 60s		Default = 10s
	Use 0-10V	On / Off		See 0-10V and Alarm Contact section of this manual
Alarm Mode	On / Off			
PERSONALITY	Primary	On / Off		
	Secondary	On / Off		
	Dim Modes	Standard		
		Stage		
		TV		
		Architectural		
		Theatre		
		Stage 2		
		Dim Speed	0s, 0.1s, 0.2s, 0.3s, 0.4s, 0.5s, 0.6s, 0.7s, 0.8s, 0.9s, 1.0s, 1.5s, 2.0s, 3.0s, 4.0s, 5.0s, 6.0s, 7.0s, 8.0s, 9.0s, 10.0s	
	Dim Curves	Linear		
		Square		
		Square Inverse		
		S-Curve		
E-Fly Settings	Set E-Fly Channel	00 - 14		
	Enable E-Fly	Yes / No		
LED Refresh Rate	900-1500Hz, 2500Hz, 4000Hz, 5000Hz, 6000Hz, 10KHz, 15KHz, 20KHz, 25KHz		Default = 1200Hz	

CONTINUED ON NEXT PAGE

SYSTEM MENU

PERSONALITY (continued)	LED Power Limit	50%				
		60%				
		70%				
		80%				
		90%				
		100%				
	Display	Screen Saver Delay	1 - 10			
		Screen Lock	Off , 30s, 1-10min			
		Rotate Display 180	Yes / No			
	Service Passcode = 050	Calibration	Red	000 - 255		
			Green	000 - 255		
			Blue	000 - 255		
			White	000 - 255		
			Lime	000 - 255		
Factory Restore		Yes / No				
Edit RDIM UID	xxxxxx					
MANUAL CONTROL	Red	000 - 255				
	Green	000 - 255				
	Blue	000 - 255				
	White	000 - 255				
	Lime	000 - 255				
	Dimmer	000 - 255				
	Dimmer Fine	000 - 255				
	Strobe	000 - 255				
INFORMATION	Fixture Life Time	Power On Time	xxxxxx Hours			
	Fix Last Run Time	Powr On Time Able Res	xxxxxx Hours			
		Power On Time Reset	Passcode = 038			
	Total Lamp Hours	xxxxxx Hours				
	Fixture Temp	LEDs	Current	xxx F / xxx C		
			Max Resettable	xxx F / xxx C		
			Max Not Resettable	xxx F / xxx C		
			Last Max Temp Reset	Passcode = 038		
	DMX Values	Dimmer	000 - 255			
	Product IDs	RDIM UID	xxxxxx			
	Error Logs	Fixture Errors	Error1, Error2, ...			
Reset Error Log		Yes / No	Passcode = 050			
Software Version	Vx.xx					

0-10V AND ALARM CONTACT

These functions control the way that the fixture interprets the signal from the 0-10V connector.

The **0-10V CONTACT** setting is used to enable or disable the fixture's ability to use the 0-10V input to determine the intensity of light output. Please note that if this feature is enabled, the fixture will adhere to the settings selected in the Color Temperature and Virtual Color functions of the Standalone System Menu.

Alternately, the **ALARM CONTACT** setting is used to enable or disable the fixture's ability to activate Standalone mode when input is received from the 0-10V connector. DMX control will simultaneously be disabled when the fixture enters this mode. Common uses for this feature include emergency lighting applications or a master power switch for repair and maintenance purposes.

DMX TRAITS

CHANNEL								DMX VAL-UES	FUNCTION	DEF	SNAP
1ch Dim.	4ch Dim. Color	5ch RGBWL	10ch RGBWL 16bit	10ch Std	17ch Ext	4ch HSI	9ch HSI Ext				
				1	1		1		Strobe	050	X
								000 - 031	Closed		
								032 - 063	Open		
								064 - 095	Strobe, slow to fast		
								096 - 127	Open		
								128 - 159	Pulse, slow to fast		
								160 - 191	Open		
								192 - 223	Random, slow to fast		
								224 - 255	Open		
1	1			2	2			000 - 255	Dimmer, 0% to 100%	000	
	2			3	3			000 - 255	Dimmer Fine, 0% to 100%	000	
		1	1	4	4			000 - 255	Red, 0% to 100%	255	
			2		5			000 - 255	Red Fine, 0% to 100%	255	
		2	3	5	6			000 - 255	Green, 0% to 100%	255	
			4		7			000 - 255	Green Fine, 0% to 100%	255	
		3	5	6	8			000 - 255	Blue, 0% to 100%	255	
			6		9			000 - 255	Blue Fine, 0% to 100%	255	
		4	7		10			000 - 255	White, 0% to 100%	255	
			8		11			000 - 255	White Fine, 0% to 100%	255	
		5	9		12			000 - 255	Lime, 0% to 100%	255	
			10		13			000 - 255	Lime Fine, 0% to 100%	255	
	3			7	14		6		CTO	000	
								000 - 023	Open		
								024 - 085	CTO 2400K - 8500K (see Color Temperature Table)		
								086 - 255	8500K		
	4			8	15		7		Color Wheel	000	
								000	Open		
								001 - 179	Virtual Swatch Book (see Virtual Gel Swatch Book Table)		

CONTINUED ON NEXT PAGE

DMX TRAITS

CHANNEL								DMX VALUES	FUNCTION	DEF	SNAP
1ch Dim.	4ch Dim. Color	5ch RGBWL	10ch RGBWL 16bit	10ch Std	17ch Ext	4ch HSI	9ch HSI Ext				
4				8	15		7		Color Scroll	000	
								180 - 201	Clockwise, fast to slow		
								202 - 207	Stop		
								208 - 229	Counter-clockwise, slow to fast		
								230 - 234	Open		
									Random Slots		
								235 - 239	Fast		
								240 - 244	Medium		
								245 - 249	Slow		
								250 - 255	Open		
				9	16		8		Dim Modes	000	X
								000 - 020	Standard		
								021 - 040	Stage		
								041 - 060	TV		
								061 - 080	Architectural		
								081 - 100	Theatre		
								101 - 120	Stage 2		
									Dimmer Delay Time		
								121	0s		
								122	0.1s		
								123	0.2s		
								124	0.3s		
								125	0.4s		
								126	0.5s		
								127	0.6s		
								128	0.7s		
								129	0.8s		
								130	0.9s		
								131	1.0s		
								132	1.5s		
133	2.0s										
134	3.0s										
135	4.0s										
136	5.0s										

CONTINUED ON NEXT PAGE

DMX TRAITS

CHANNEL								DMX VALUES	FUNCTION	DEF	SNAP
1ch Dim	4ch Dim Color	5ch RGBWL	10ch RGBWL 16bit	10ch Std	17ch Ext	4ch HSI	9ch HSI Ext				
				9	16		8		Dimmer Delay Time	000	X
								137	6.0s		
								138	7.0s		
								139	8.0s		
								140	9.0s		
								141	10s		
								142 - 255	Idle		
				10	17		9		Control	000	X
								000 - 099	Idle		
									Refresh Rate (Hz)		
								100	900		
								101	910		
								102	920		
								103	930		
								104	940		
								105	950		
								106	960		
								107	970		
								108	980		
								109	990		
								110	1000		
								111	1010		
								112	1020		
								113	1030		
								114	1040		
								115	1050		
								116	1060		
								117	1070		
								118	1080		
								119	1090		
								120	1100		
								121	1110		
								122	1120		
								123	1130		

CONTINUED ON NEXT PAGE

DMX TRAITS

CHANNEL								DMX VALUES	FUNCTION	DEF	SNAP
1ch Dim	4ch Dim Color	5ch RGBWL	10ch RGBWL 16bit	10ch Std	17ch Ext	4ch HSI	9ch HSI Ext				
									Refresh Rate (Hz)		
								124	1140		
								125	1150		
								126	1160		
								127	1170		
								128	1180		
								129	1190		
								130	1200		
								131	1210		
								132	1220		
								133	1230		
								134	1240		
								135	1250		
								136	1260		
								137	1270		
								138	1280		
				10	17		9	139	1290	000	X
								140	1300		
								141	1310		
								142	1320		
								143	1330		
								144	1340		
								145	1350		
								146	1360		
								147	1370		
								148	1380		
								149	1390		
								150	1400		
								151	1410		
								152	1420		
								153	1430		
								154	1440		
								155	1450		
								156	1460		

CONTINUED ON NEXT PAGE

DMX TRAITS

CHANNEL								DMX VALUES	FUNCTION	DEF	SNAP
1ch Dim	4ch Dim Color	5ch RGBWL	10ch RGBWL 16bit	10ch Std	17ch Ext	4ch HSI	9ch HSI Ext				
									Refresh Rate (Hz)		
								157	1470		
								158	1480		
								159	1490		
								160	1500		
								161	2500		
								162	4000		
								163	5000		
								164	6000		
								165	10000		
								166	15000		
								167	20000		
								168	25000		
								169 - 200	Idle		
				10	17		9	201 - 210	Dimmer Curve Linear (default)	000	X
								211 - 220	Dimmer Curve Square		
								221 - 230	Dimmer Curve Inverse Square		
								231 - 240	Dimmer Curve S-Curve		
								241	Internal Program 1 (Scenes 1-8)		
								242	Internal Program 2 (Scenes 9-16)		
								243	Internal Program 3 (Scenes 17-24)		
								244	Internal Program 4 (Scenes 25-32)		
								245	Internal Program 5 (Scenes 33-40)		
								246	Internal Program 6 (Scenes 41-48)		
								247	Internal Program 7 (Scenes 49-56)		
								248 - 255	Idle		
						1	2	000 - 255	Intensity , 0% to 100%	000	
						2	3	000 - 255	Intensity Fine , 0% to 100%	000	

CONTINUED ON NEXT PAGE

DMX TRAITS

CHANNEL								DMX VALUES	FUNCTION	DEF	SNAP
1ch Dim	4ch Dim Color	5ch RGBWL	10ch RGBWL 16bit	10ch Std	17ch Ext	4ch HSI	9ch HSI Ext				
						3	4	000 - 255	Hue , 0% to 100%	255	
						4	5	000 - 255	Saturation , 0% to 100%	255	

COLOR TEMPERATURE TABLE

DMX VALUE	COLOR TEMP (K)	DMX VALUE	COLOR TEMP (K)
024	2400	055	5500
025	2500	056	5600
026	2600	057	5700
027	2700	058	5800
028	2800	059	5900
029	2900	060	6000
030	3000	061	6100
031	3100	062	6200
032	3200	063	6300
033	3300	064	6400
034	3400	065	6500
035	3500	066	6600
036	3600	067	6700
037	3700	068	6800
038	3800	069	6900
039	3900	070	7000
040	4000	071	7100
041	4100	072	7200
042	4200	073	7300
043	4300	074	7400
044	4400	075	7500
045	4500	076	7600
046	4600	077	7700
047	4700	078	7800
048	4800	079	7900
049	4900	080	8000
050	5000	081	8100
051	5100	082	8200
052	5200	083	8300
053	5300	084	8400
054	5400	085	8500

VIRTUAL GEL SWATCH BOOK

VALUE	FILTER#	COLOR	VALUE	FILTER#	COLOR
1	7	Pale Yellow	31	126	Mauve
2	103	Straw	32	49	Medium Purple
3	151	Gold Tint	33	58	Lavender
4	100	Spring Yellow	34	199	Palace Blue
5	10	Medium Yellow	35	119	Dark Blue
6	101	Yellow	36	132	Medium Blue
7	104	Deep Amber	37	120	Deep Blue
8	15	Deep Straw	38	165	Daylight Blue
9	179	Loving Amber	39	161	Slate Blue
10	21	Gold Amber	40	118	Light Blue
11	105	Orange	41	68	Sky Blue
12	158	Deep Orange	42	143	Pale Navy Blue
13	22	Dark Amber	43	131	Marine Blue
14	778	Millennium Gold	44	115	Peacock Blue
15	135	Deep Golden Amber	45	172	Lagoon Blue
16	24	Scarlet	46	116	Medium Blue Green
17	106	Primary Red	47	90	Dark Yellow Green
18	26	Bright Red	48	139	Primary Green
19	27	Medium Red	49	122	Fern Green
20	19	Fire	50	89	Moss Green
21	157	Pink	51	124	Dark Green
22	36	Medium Pink	52	88	Lime Green
23	111	Dark Pink	53	138	Pale Green
24	128	Bright Pink	54	203	Quarter CT Blue
25	148	Bright Rose	55	202	Half CT Blue
26	332	Special Rose Pink	56	201	FULL CT Blue
27	793	Vanity Fair	57	200	Double CT Blue
28	113	Magenta	58	206	Quarter CT Orange
29	46	Dark Magenta	59	205	Half CT Orange
30	48	Rose Purple	60	204	FULL CT Orange

ERROR CODES

ERROR CODE	DESCRIPTION
Temp Error	These messages will appear if there is a temperature and/or voltage malfunction.
0-10V Error	

Note: Error Codes are subject to change without notice.

SPECIFICATIONS

SOURCE

144W 5-in-1 RGBWL (Red, Green, Blue, White, Lime) LED Array
50,000 Hour Average LED Life*

*Test lab conditions. May vary depending on several factors including but not limited to:
Environmental Conditions, Power/Voltage, Usage Patterns (On-Off Cycling), Control, and Dimming.

PHOTOMETRIC DATA

7,200 Total Lumen Fixture Output
CRI 90 @ 3,200K
45° Lens Included

EFFECTS

Color Temperature Control 2,400K - 8,500K
Virtual Color Swatch Book
Dimmer, RGB, RGBWL and HSI Control Options
Variable 16-bit Dimming Curves
High Speed Electronic Shutter and Strobe
DMX and Menu adjustable LED Refresh Rate Frequency

CONTROL / CONNECTIONS

8 DMX Channel Modes
Standalone and Primary/Secondary Modes
RDM (Remote Device Management)
0-10V Dimming (Current-Sink)
E-FLY™ Internal Extended Range Wireless DMX Transceiver
4 Button Control Panel and OLED Menu Display
Locking 5pin XLR Connector In/Out
Locking IP65 Power Connector In
3pin Wire Terminal Block (12-24 AWG, 4.0 - 0.25 mm²)
5pin Wire Terminal Block for 0-10V, DMX (24 AWG / 25 mm²)
2pin Wire Terminal Block for 48V Emergency Battery Input (24 AWG / 0.25 mm²)

SIZE / WEIGHT

Length: 7.8" (197mm)
Width: 7.7" (196mm)
Height: 11.7" (298mm)
Weight: 11.6 lbs. (5.3 kg)

ELECTRICAL / THERMAL

AC 100-240V - 50/60Hz
Max Power Consumption 145W
14°F to 113°F (-10°C to 45°C)

APPROVALS / RATINGS

CE | cETLus | IP20

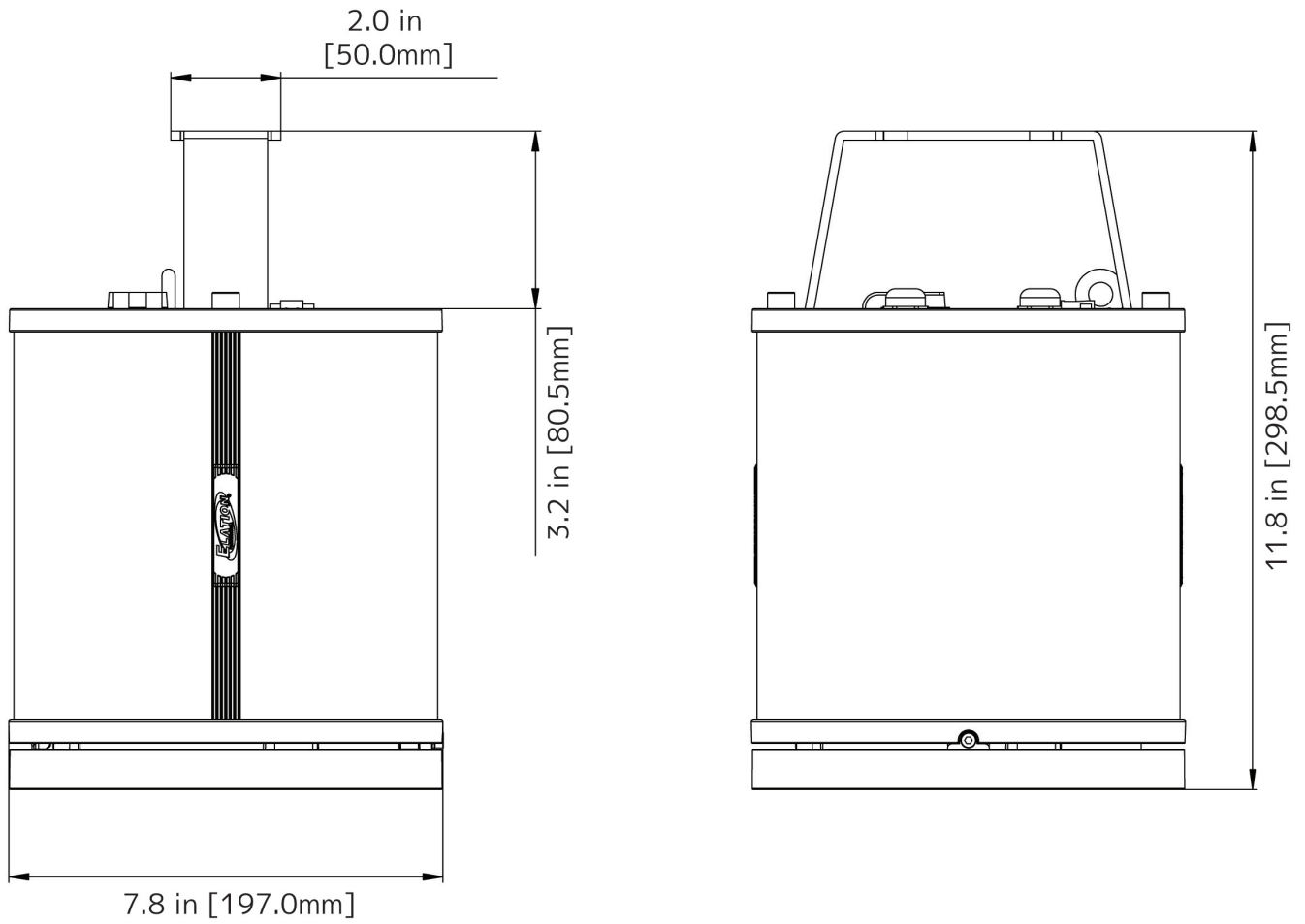
OPTIONAL ACCESSORIES

FPL25 - 25° Lens
FPL40 - 40° Lens
FPL50 - 50° Lens
FPL100 - 100° Lens
FPLCMK - Ceiling Mount Kit
FPLYMK - Yoke Mount Kit
FPHS - Half Snoot
FPFS - Full Snoot



DIMENSIONAL DRAWINGS

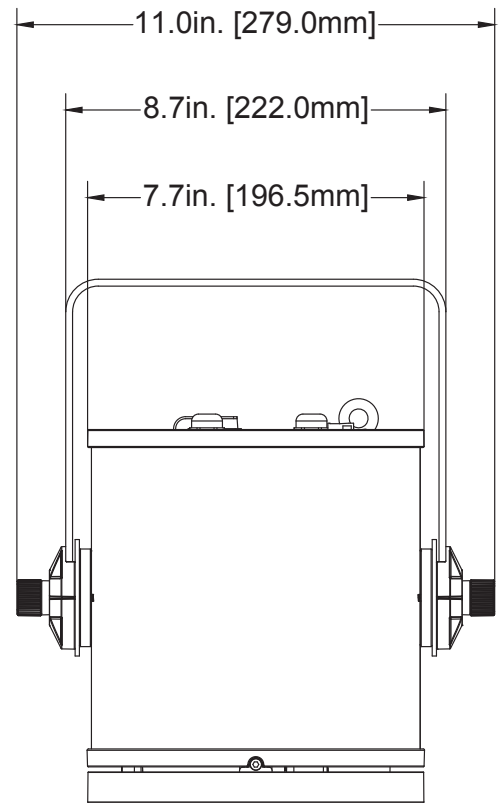
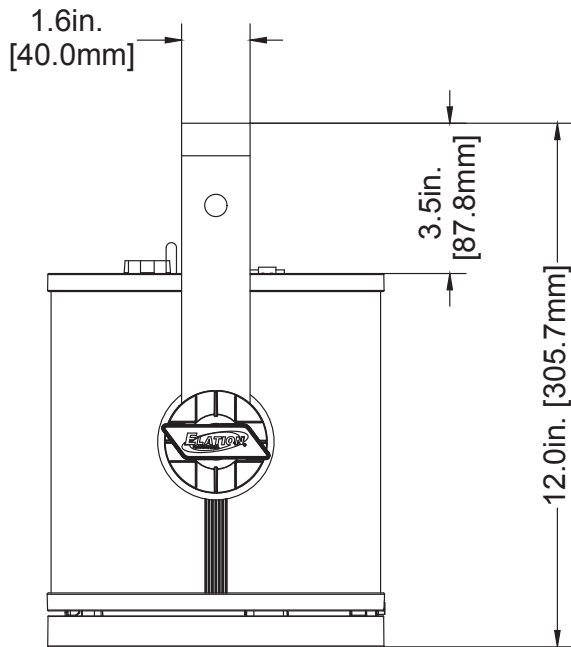
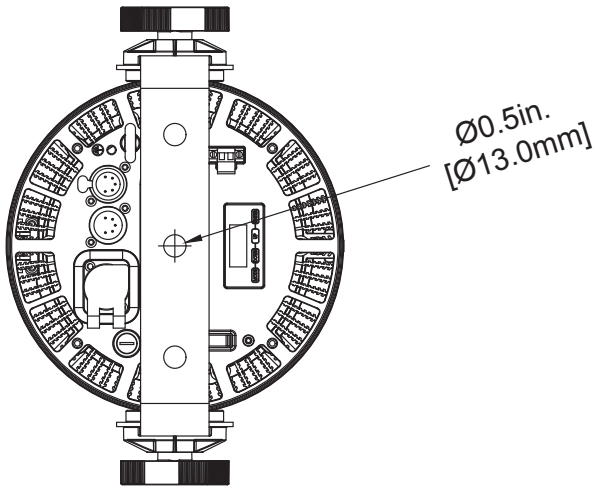
PENDANT BRACKET ATTACHED



Dimensions not drawn to scale.

DIMENSIONAL DRAWINGS

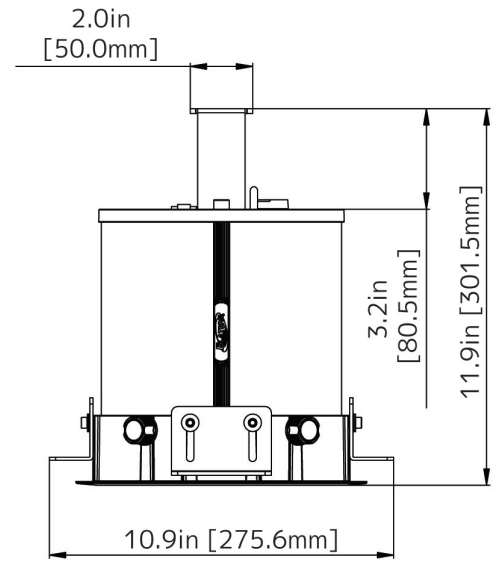
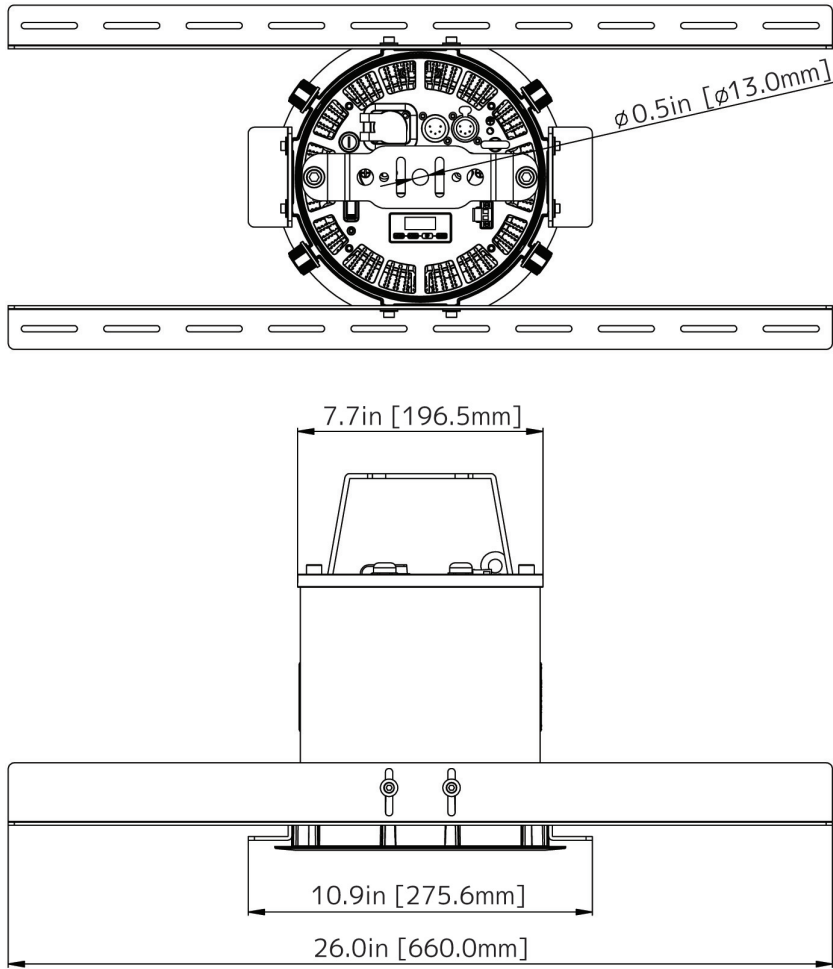
YOKE BRACKET ATTACHED



Dimensions not drawn to scale.

DIMENSIONAL DRAWINGS

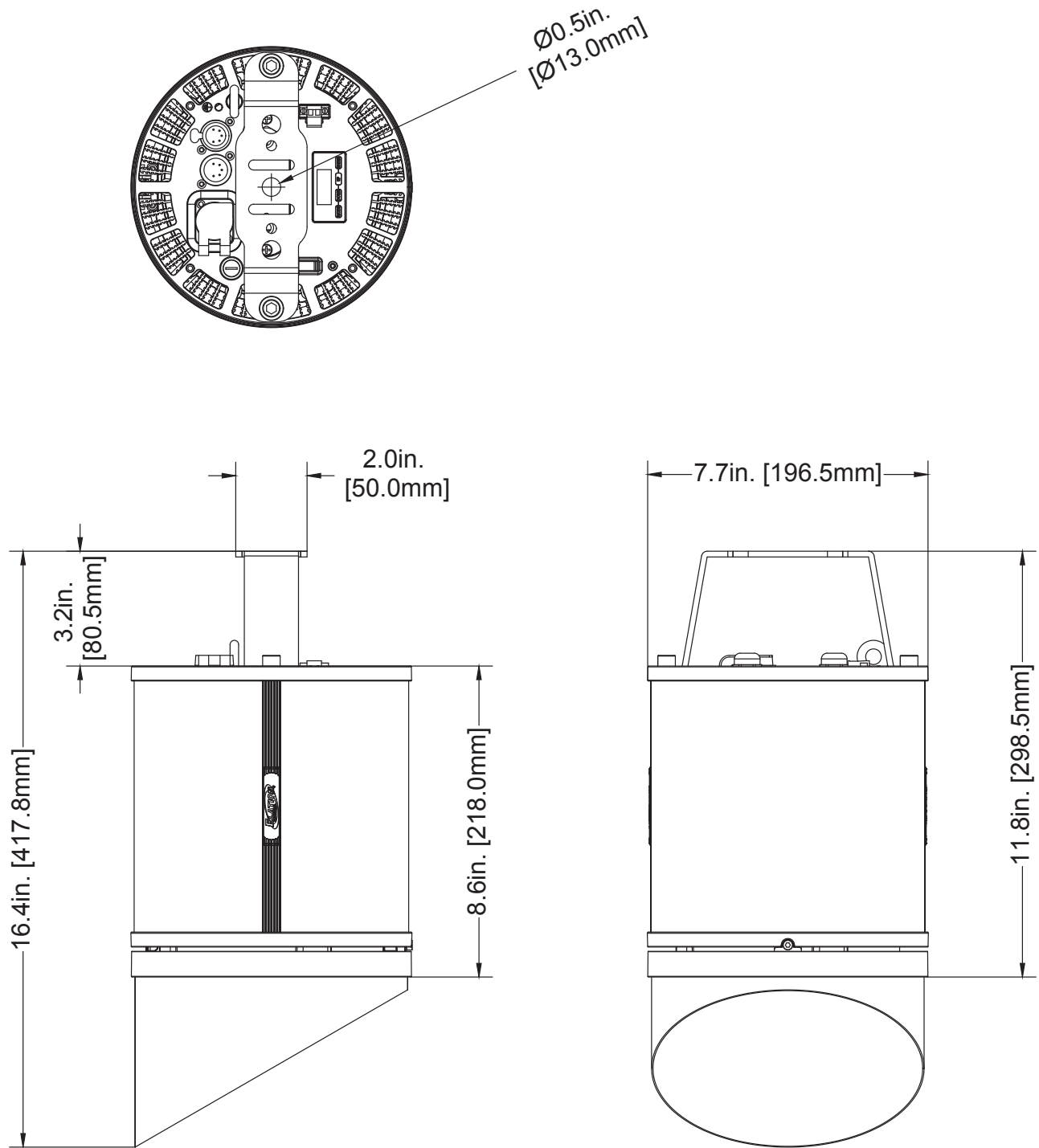
CEILING MOUNT KIT ATTACHED



Dimensions not drawn to scale.

DIMENSIONAL DRAWINGS

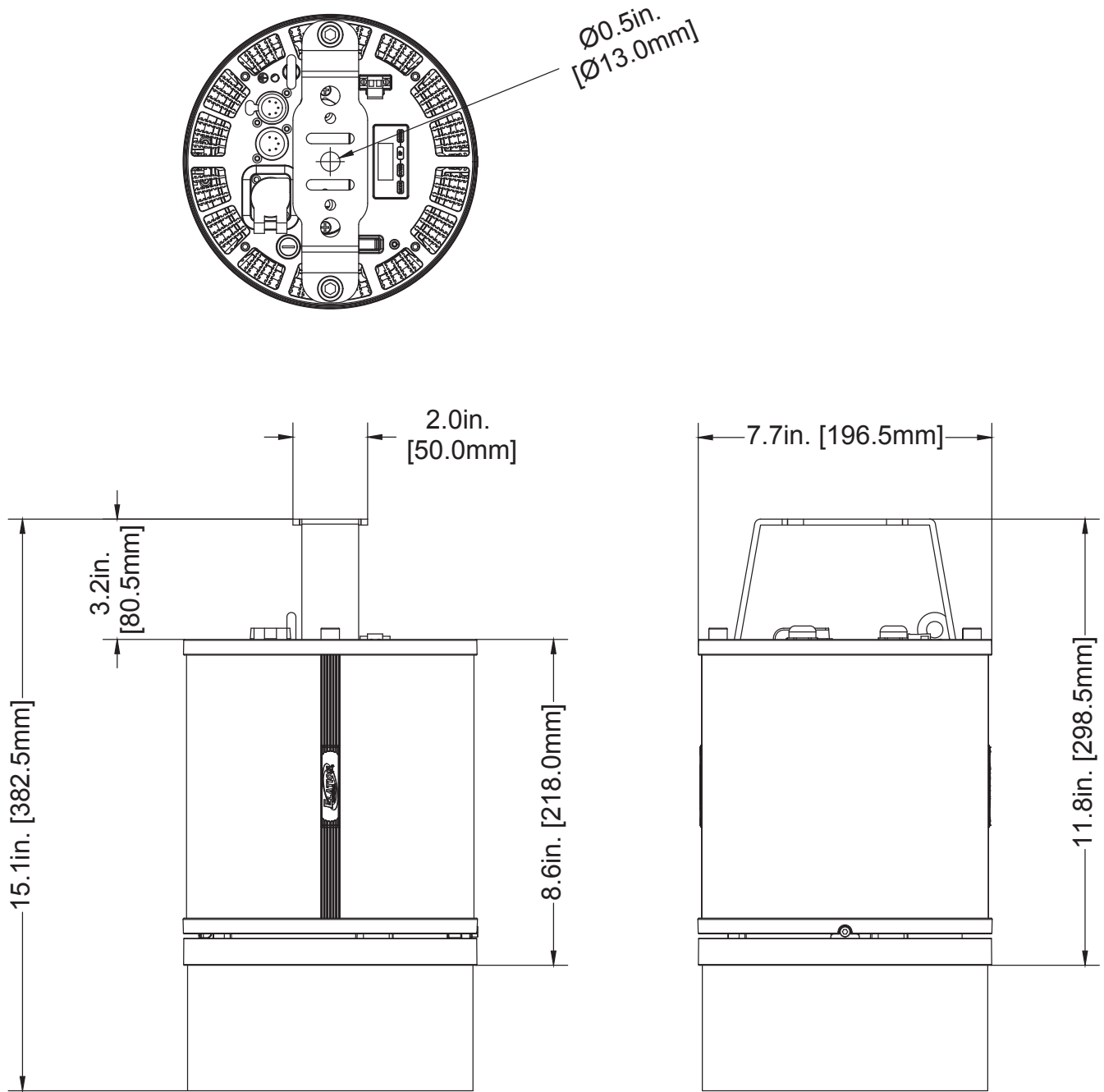
HALF SNOOT ATTACHED



Dimensions not drawn to scale.

DIMENSIONAL DRAWINGS

FULL SNOOT ATTACHED



Dimensions not drawn to scale.

OPTIONAL ACCESSORIES

SKU (USA)	SKU (EU)	ITEM
FPL25	1237000229	25° Lens
FPL40	1237000243	40° Lens
FPL50	1237000228	50° Lens
FPL100	1237000269	100° Lens
FPCMK	1237000244	Ceiling Mount Kit
FPYMK	1237000245	Yoke Mount Kit
FPHS	1237000246	Half Snoot
FPFS	1237000247	Full Snoot

FCC STATEMENT

This device complies with Part 15 of the FCC Rules. Operation is subject to the following two conditions: (1) this device may not cause harmful interference, and (2) this device must accept any interference received, including interference that may cause undesired operation.

FCC RADIO FREQUENCY INTERFERENCE WARNINGS & INSTRUCTIONS

This product has been tested and found to comply with the limits as per Part 15 of the FCC Rules. These limits are designed to provide reasonable protection against harmful interference in a residential installation. This device uses and can radiate radio frequency energy and, if not installed and used in accordance with the included instructions, may cause harmful interference to radio communications. However, there is no guarantee that interference will not occur in a particular installation. If this device does cause harmful interference to radio or television reception, which can be determined by turning the device off and on, the user is encouraged to try to correct the interference by one or more of the following methods:

- Reorient or relocate the device.
- Increase the separation between the device and the receiver.
- Connect the device to an electrical outlet on a circuit different from which the radio receiver is connected.
- Consult the dealer or an experienced radio/TV technician for help.



